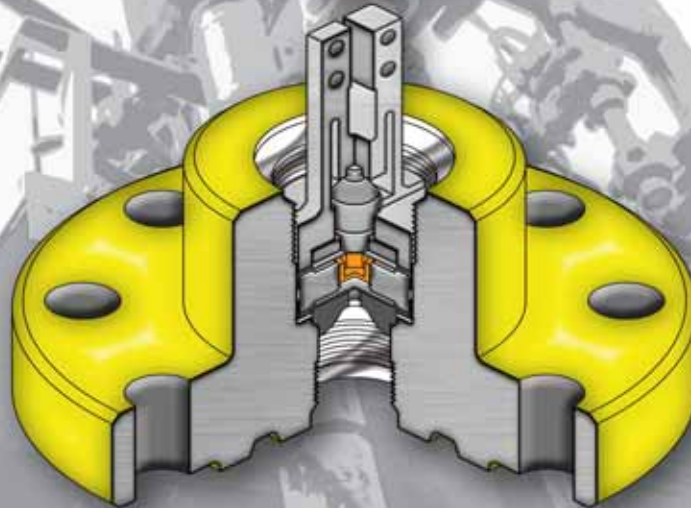


# Pressure Gauges



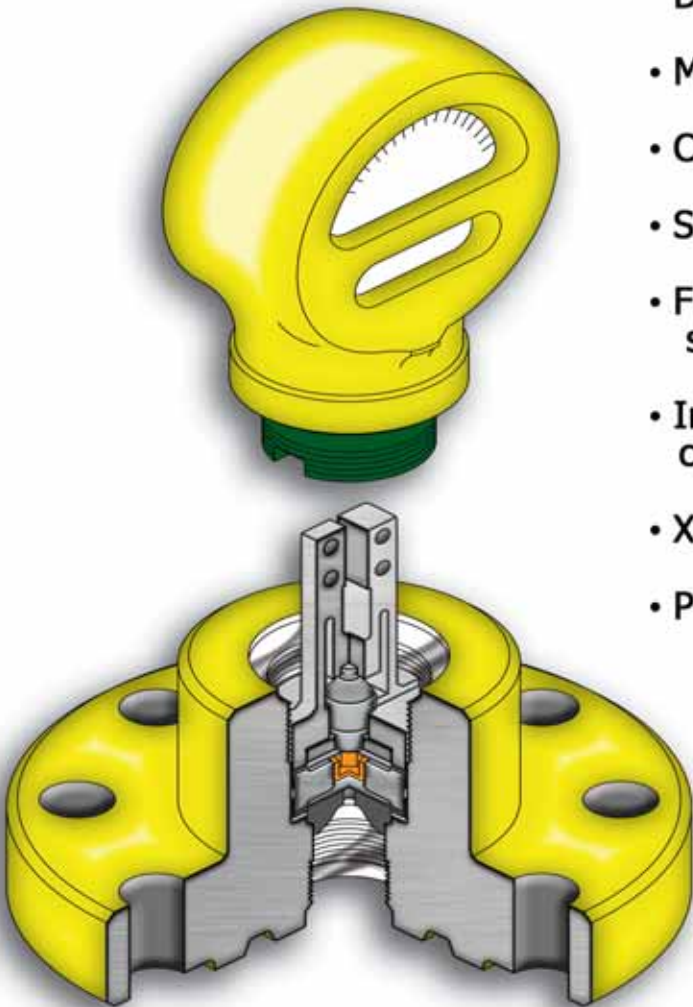
The OTECO Pressure Gauge offers high accuracy and dependability. For your standpipe, mud pump and other drilling and production applications where precision pressure measurements are required. We offer a multitude of dials and sub connections to fit your specific need. Trim available for standard mud, salt water and sour gas environments. ABS and DNV certification available. Manufactured, assembled and calibrated in our Houston, Texas, USA facility.



<http://www.OTECO.com>



- Manufactured, assembled and calibrated in our Houston, Texas, USA facility ensuring quality parts for accuracy and dependability.
- ABS & DNV unit certification available.
  - Interchangeable with Cameron type gauges.
  - Temperature range -20°F to 250°F (-29°C to 121°C)
  - 3 gauge models offering a multitude of sizes, pressure ranges and sub end connections.
  - Sub end connections made from steel, stainless steel or bronze.
    - Dial ranges in PSI, BAR, KGC and KPA. Dial faces come in standard or luminous.
    - Model 8 Gauges offer dual unit of measure.
    - Cases made with aluminum or bronze.
    - Sour Gas and Charpy available.
    - Flanged subs can have inconel or stainless steel inlays.
    - Integral FMC Weco<sup>®</sup> Hammer Union end connections.
    - Xylan coated High Pressure adapters.
    - Pressure plug on backside for safety.



Weco<sup>®</sup> is a federally registered trademark by FMC Technologies.

ITEM #	MODEL 6 END CONNECTION	TRIM	UNIT OF MEASURE	PRESSURE RANGE	DIAL FACE
361111	PG6,2" LPT	STANDARD	PSI	0 - 1,000	STANDARD
361121	PG6,2" LPT	SALT WATER	PSI	0 - 1,000	STANDARD
361211	PG6,2" LPT	STANDARD	PSI	0 - 3,000	STANDARD
361231	PG6,2" LPT	SOUR GAS	PSI	0 - 3,000	STANDARD
361221	PG6,2" LPT	SALT WATER	PSI	0 - 3,000	STANDARD
361411	PG6,2" LPT	STANDARD	PSI	0 - 6,000	STANDARD
361431	PG6,2" LPT	SOUR GAS	PSI	0 - 6,000	STANDARD
361421	PG6,2" LPT	SALT WATER	PSI	0 - 6,000	STANDARD
361511	PG6,2" LPT	STANDARD	PSI	0 - 10,000	STANDARD
362411	PG6,2" LPT	STANDARD	KPA	0 - 42,000	STANDARD
361541	PG6,1.81-10K,RJ,BX-151	STANDARD	PSI	0 - 10,000	STANDARD
360056	PG6,2.06-5K,RJ,R-24	STANDARD	PSI	0 - 6,000	STANDARD
360057	PG6,2.06-5K,RJ,R-24	SOUR GAS	PSI	0 - 6,000	STANDARD
360000	PG6,2.06-10K,RJ,BX-152	STANDARD	PSI	0 - 10,000	STANDARD
360002	PG6,2.06-10K,RJ,BX-152	SOUR GAS	PSI	0 - 10,000	STANDARD
366431	PG6,2"FIG.1502 MALE	STANDARD	PSI	0 - 6,000	STANDARD
364701	PG6,2"FIG.1502 MALE	SOUR GAS	PSI	0 - 6,000	STANDARD
364581	PG6,2"FIG.1502 MALE	STANDARD	PSI	0 - 10,000	STANDARD
360059	PG6,2"FIG.1502 MALE	SOUR GAS	PSI	0 - 10,000	STANDARD
360058	PG6,2"FIG.1502 MALE	STANDARD	PSI	0 - 15,000	STANDARD

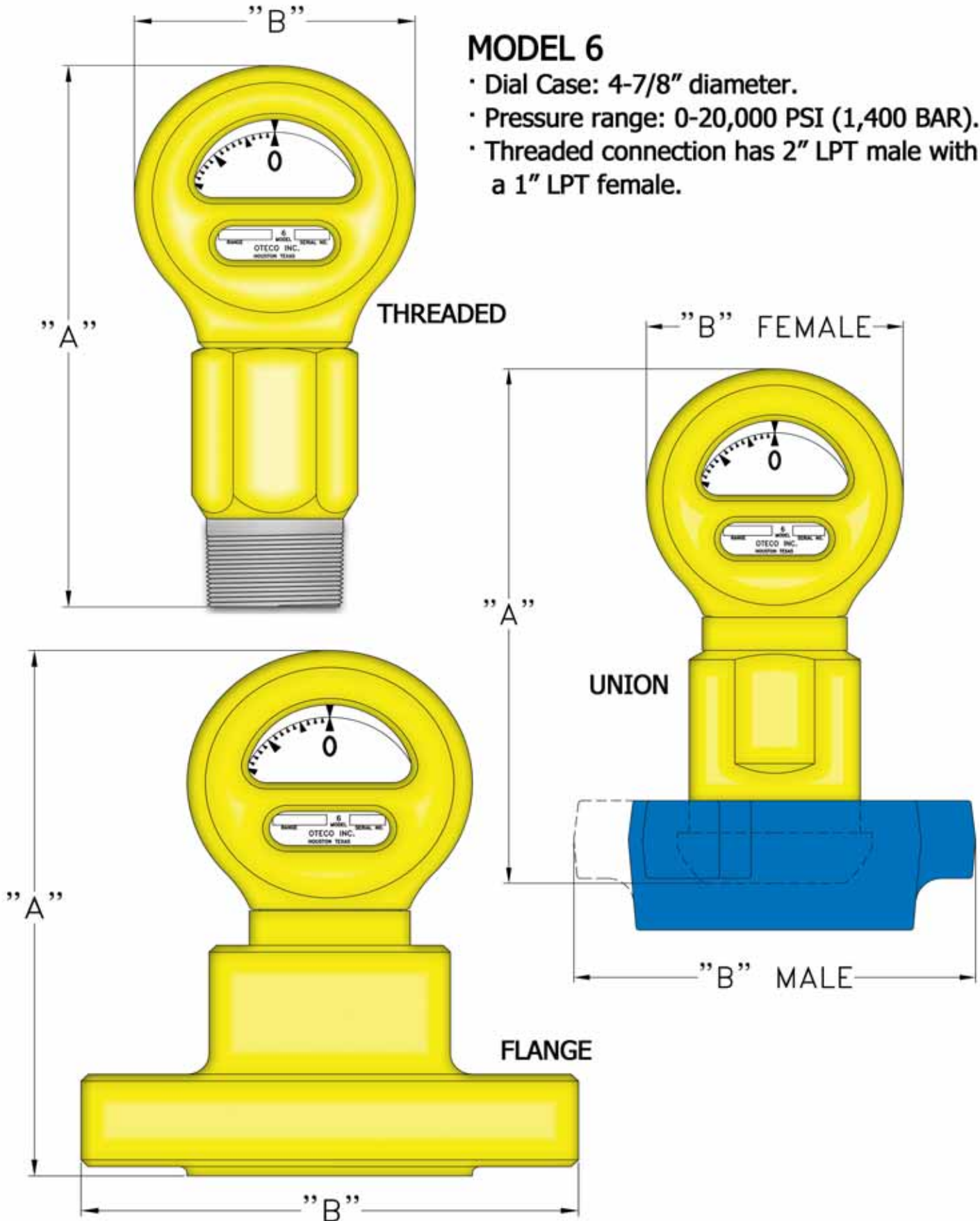
ITEM #	MODEL 7 END CONNECTION	TRIM	UNIT OF MEASURE	PRESSURE RANGE	DIAL FACE
371211	PG7,2" LPT	STANDARD	PSI	0 - 3,000	STANDARD
371311	PG7,2" LPT	STANDARD	PSI	0 - 5,000	STANDARD
371411	PG7,2" LPT	STANDARD	PSI	0 - 6,000	STANDARD
372201	PG7,2"FIG.1502 MALE	STANDARD	PSI	0 - 6,000	STANDARD

ITEM #	MODEL 8 END CONNECTION	TRIM	UNIT OF MEASURE	PRESSURE RANGE	DIAL FACE
381411	PG8,2" LPT	STANDARD	PSI	0 - 6,000	STANDARD
382041	PG8,2.06-5K,RJ,R-24	STANDARD	PSI	0 - 6,000	STANDARD
381541	PG8,2.06-5K,RJ,R-24	SOUR GAS	PSI	0 - 6,000	STANDARD
382331	PG8,2.06-5K,RJ,R-24	STANDARD	BAR	0 - 420	STANDARD
382061	PG8,2.06-10K,RJ,BX-152	STANDARD	PSI	0 - 10,000	STANDARD
382281	PG8,2.06-10K,RJ,BX-152	STANDARD	BAR	0 - 700	STANDARD
382841	PG8,2.06-10K,RJ,BX-152	STANDARD	KPA	0 - 70,000	STANDARD
381891	PG8,2"FIG.1502 MALE	STANDARD	PSI	0 - 6,000	STANDARD
382262	PG8,2"FIG.1502 MALE	SOUR GAS	PSI	0 - 6,000	LUMINOUS
382191	PG8,2"FIG.1502 MALE	SOUR GAS	PSI	0 - 10,000	STANDARD
382541	PG8,2"FIG.1502 MALE	SOUR GAS	KPA	0 - 42,000	STANDARD

**\*\* Max pressure of the gauge is sub end connection or case adapter dependent. Whichever of the two is lowest. See sub end connection/gauge pressure ratings on the following pages for ratings to most common sub end connections. Ratings are subject to change.**

## MODEL 6

- Dial Case: 4-7/8" diameter.
- Pressure range: 0-20,000 PSI (1,400 BAR).
- Threaded connection has 2" LPT male with a 1" LPT female.



# MODEL 6 PRESSURE GAUGE SPECIFICATIONS

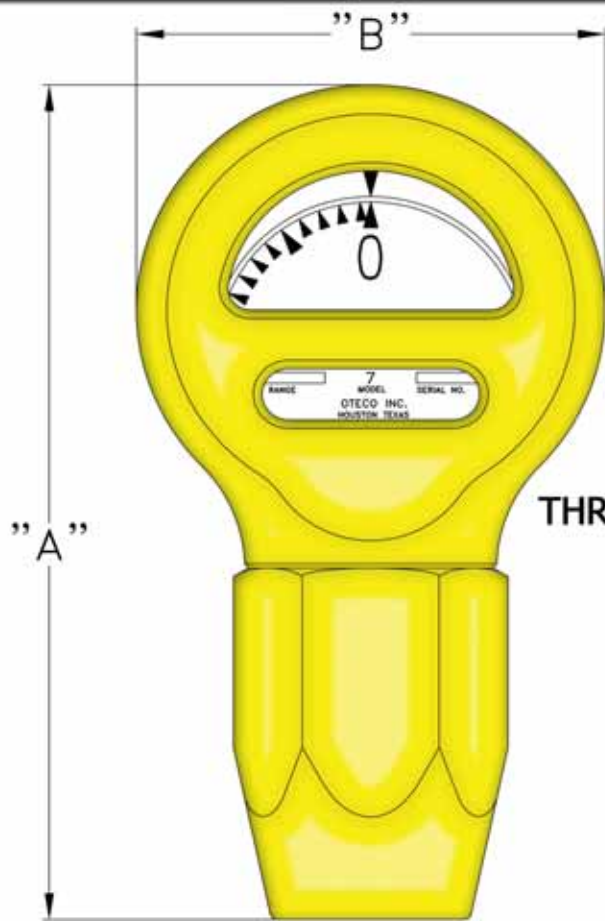
5

DIAL FACE PRESSURE			DIAL FACE PRESSURE		
STANDARD	LUMINOUS	PSI/BAR UNIT OF MEASURE	STANDARD	LUMINOUS	KGC/KPA UNIT OF MEASURE
AVAILABLE	AVAILABLE	PG6,DIAL FACE,PSI,0-1K	AVAILABLE	AVAILABLE	PG6,DIAL FACE,KGC,0-70
AVAILABLE	AVAILABLE	PG6,DIAL FACE,PSI,0-3K	AVAILABLE	AVAILABLE	PG6,DIAL FACE,KGC,0-210
AVAILABLE	AVAILABLE	PG6,DIAL FACE,PSI,0-6K	AVAILABLE	AVAILABLE	PG6,DIAL FACE,KGC,0-420
AVAILABLE	AVAILABLE	PG6,DIAL FACE,PSI,0-10K	AVAILABLE	AVAILABLE	PG6,DIAL FACE,KGC,0-700
AVAILABLE	AVAILABLE	PG6,DIAL FACE,PSI,0-15K	AVAILABLE	AVAILABLE	PG6,DIAL FACE,KGC,0-1060
AVAILABLE	AVAILABLE	PG6,DIAL FACE,PSI,0-20K	AVAILABLE	N/A	PG6,DIAL FACE,KGC,0-1400
AVAILABLE	AVAILABLE	PG6,DIAL FACE,BAR,0-70	AVAILABLE	AVAILABLE	PG6,DIAL FACE,KPA,0-7K
N/A	AVAILABLE	PG6,DIAL FACE,BAR,0-210	AVAILABLE	AVAILABLE	PG6,DIAL FACE,KPA,0-21K
AVAILABLE	AVAILABLE	PG6,DIAL FACE,BAR,0-420	AVAILABLE	AVAILABLE	PG6,DIAL FACE,KPA,0-42K
AVAILABLE	AVAILABLE	PG6,DIAL FACE,BAR,0-700	AVAILABLE	AVAILABLE	PG6,DIAL FACE,KPA,0-70K
AVAILABLE	AVAILABLE	PG6,DIAL FACE,BAR,0-1040	AVAILABLE	AVAILABLE	PG6,DIAL FACE,KPA,0-104K
AVAILABLE	AVAILABLE	PG6,DIAL FACE,BAR,0-1400	AVAILABLE	AVAILABLE	PG6,DIAL FACE,KPA,0-140K

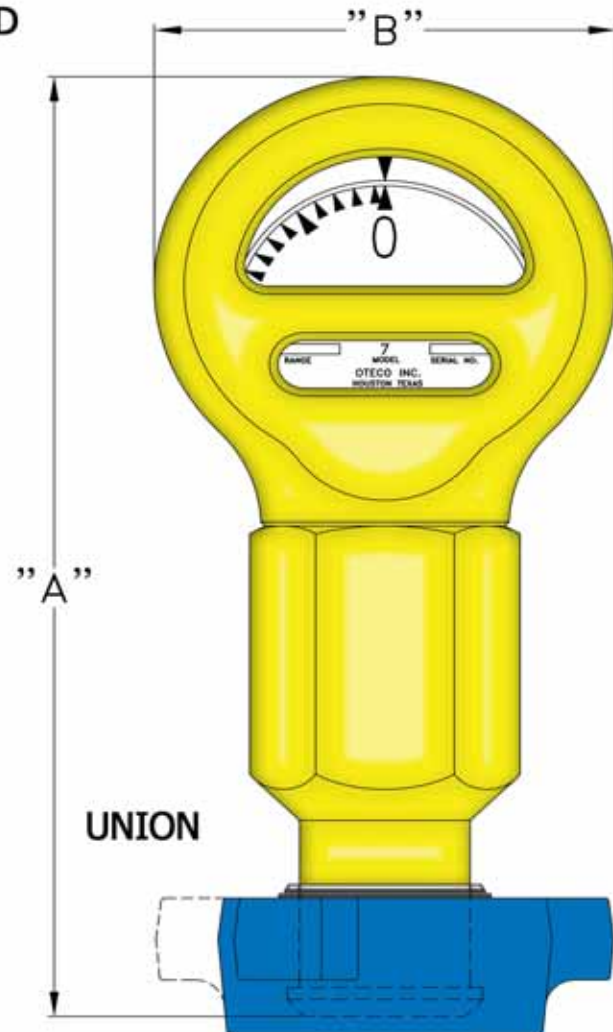
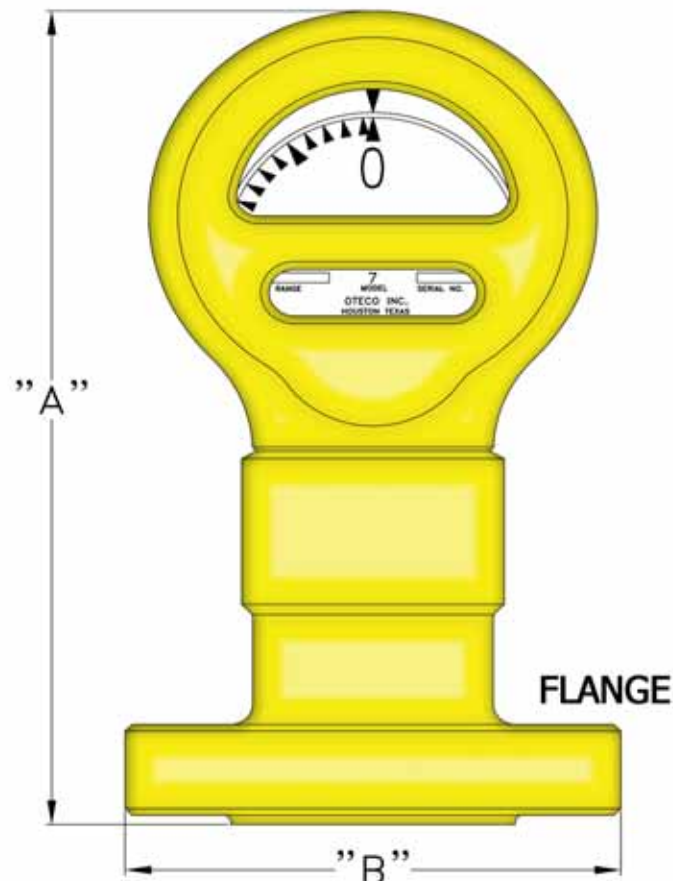
SUB CONNECTION DESCRIPTION (MAX WORKING PRESSURE SUB OR CASE DEPENDENT)	MAXIMUM PRESSURE PSI (BAR)	GAUGE PRESSURE RATINGS PSI	OVERALL	
			HEIGHT "A"	WIDTH "B"
PG6,THREADED,2" LPT	6,000 (420)	1K,3K,6K	10-1/16"	4-7/8"
PG6,THREADED,2" LPT	10,000 (700)	10K	10"	4-7/8"
PG6,THREADED,2" LPT, BRONZE	10,000 (700)	1K,3K,6K,10K	10-1/16"	4-7/8"
PG6,THREADED,2" LPT, STAINLESS STEEL	6,000 (420)	1K,3K,6K	10-1/16"	4-7/8"
PG6,THREADED,2" LPT, STAINLESS, SOUR GAS	10,000 (700)	10K	10-5/16"	4-7/8"
PG6,FLANGE,1.81-10K,RJ,BX-151	10,000 (700)	10K	9-3/4"	7-3/8"
PG6,FLANGE,1.81-10K,RJ,BX-151, SOUR GAS	10,000 (700)	10K	9-3/4"	7-3/8"
PG6,FLANGE,1.81-15K,RJ,BX-151	15,000 (1040)	15K	9-7/8"	8-3/16"
PG6,FLANGE,1.81-15K,RJ,BX-151, SOUR GAS	15,000 (1040)	15K	9-7/8"	8-3/16"
PG6,FLANGE,1.81-20K,RJ,BX-151	20,000 (1400)	20K	10-1/2"	10-1/8"
PG6,FLANGE,2.06-5K,RJ,R-24	5,000 (345)	1K,3K	9-3/4"	8-1/2"
PG6,FLANGE,2.06-5K,RJ,R-24, SOUR GAS	5,000 (345)	1K,3K	9-3/4"	8-1/2"
PG6,FLANGE,2.06-10K,RJ,BX-152	10,000 (700)	10K	9-3/4"	7-7/8"
PG6,FLANGE,2.06-10K,RJ,BX-152, SOUR GAS	10,000 (700)	10K	9-3/4"	7-7/8"
PG6,FLANGE,2.06-15K,RJ,BX-152	15,000 (1040)	15K	10"	8-7/8"
PG6,FLANGE,2.06-15K,RJ,BX-152, SOUR GAS	15,000 (1040)	15K	10"	8-7/8"
PG6,FLANGE,2.06-20K,RJ,BX-152	20,000 (1400)	20K	10-1/2"	11-3/8"
PG6,FLANGE,2.56-15K,RJ,BX-153	15,000 (1040)	15K	10-1/8"	10"
PG6,FLANGE,3.06-10K,RJ,BX-154	10,000 (700)	10K	10-1/2"	10-5/8"
PG6,FLANGE,3.06-10K,RJ,BX-154, SOUR GAS	10,000 (700)	10K	10-1/2"	10-5/8"
PG6,FLANGE,3.06-15K,RJ,BX-154	15,000 (1040)	15K	10-3/4"	11-3/8"
PG6,FLANGE,3.06-20K,RJ,BX-154	20,000 (1400)	20K	11-5/8"	14-1/16"
PG6,FLANGE,3.12-5K,RJ,R-35	5,000 (345)	1K,3K	10-1/2"	10-1/2"
PG6,UNION,2" FIG.1502 MALE	6,000 (420)	1K,3K,6K	10-1/16"	7-5/8"
PG6,UNION,2" FIG.1502 MALE, SOUR GAS	6,000 (420)	1K,3K,6K	10-1/16"	7-5/8"
PG6,UNION,2" FIG.1502 MALE	15,000 (1040)	10K,15K	10"	7-5/8"
PG6,UNION,2" FIG.1502 MALE, SOUR GAS	10,000 (700)	10K	10"	7-5/8"
PG6,UNION,2" FIG.1502 FEMALE, CHARPY	15,000 (1040)	10K,15K	10"	4-7/8"
PG6,UNION,2" FIG.2002 MALE	20,000 (1400)	20K	10-1/2"	7-5/8"
PG6,UNION,2" FIG.2202 MALE, SOUR GAS	15,000 (1040)	15K	13-1/2"	7-5/8"
PG6,UNION,3" FIG.1502 MALE	15,000 (1040)	15K	10"	8-7/8"
PG6,UNION,3" FIG.1502 MALE, SOUR GAS	10,000 (700)	10K	10"	8-7/8"

Sub end connections not listed in sour gas or charpy available upon request.

Sub flanges with stainless steel or Inconel inlays available upon request.

**MODEL 7**

- Dial Case: 7-5/8" diameter.
- Pressure range: 0-6,000 PSI (420 BAR).
- Threaded connection has 2" LPT female.



# MODEL 7 PRESSURE GAUGE SPECIFICATIONS

7

		DIAL FACE PRESSURE				DIAL FACE PRESSURE	
STANDARD	LUMINOUS	PSI/BAR	UNIT OF MEASURE	STANDARD	LUMINOUS	KGC/KPA	UNIT OF MEASURE
AVAILABLE	AVAILABLE	PG7,DIAL FACE,PSI,0-1K		AVAILABLE	AVAILABLE	PG7,DIAL FACE,KGC,0-70	
AVAILABLE	AVAILABLE	PG7,DIAL FACE,PSI,0-3K		AVAILABLE	AVAILABLE	PG7,DIAL FACE,KGC,0-210	
AVAILABLE	AVAILABLE	PG7,DIAL FACE,PSI,0-5K		AVAILABLE	AVAILABLE	PG7,DIAL FACE,KGC,0-350	
AVAILABLE	N/A	PG7,DIAL FACE,PSI,0-6K		AVAILABLE	AVAILABLE	PG7,DIAL FACE,KGC,0-420	
AVAILABLE	AVAILABLE	PG7,DIAL FACE,BAR,0-70		AVAILABLE	AVAILABLE	PG7,DIAL FACE,KPA,0-7K	
AVAILABLE	AVAILABLE	PG7,DIAL FACE,BAR,0-210		AVAILABLE	AVAILABLE	PG7,DIAL FACE,KPA,0-21K	
AVAILABLE	N/A	PG7,DIAL FACE,BAR,0-350		AVAILABLE	AVAILABLE	PG7,DIAL FACE,KPA,0-35K	
AVAILABLE	AVAILABLE	PG7,DIAL FACE,BAR,0-420		AVAILABLE	AVAILABLE	PG7,DIAL FACE,KPA,0-42K	

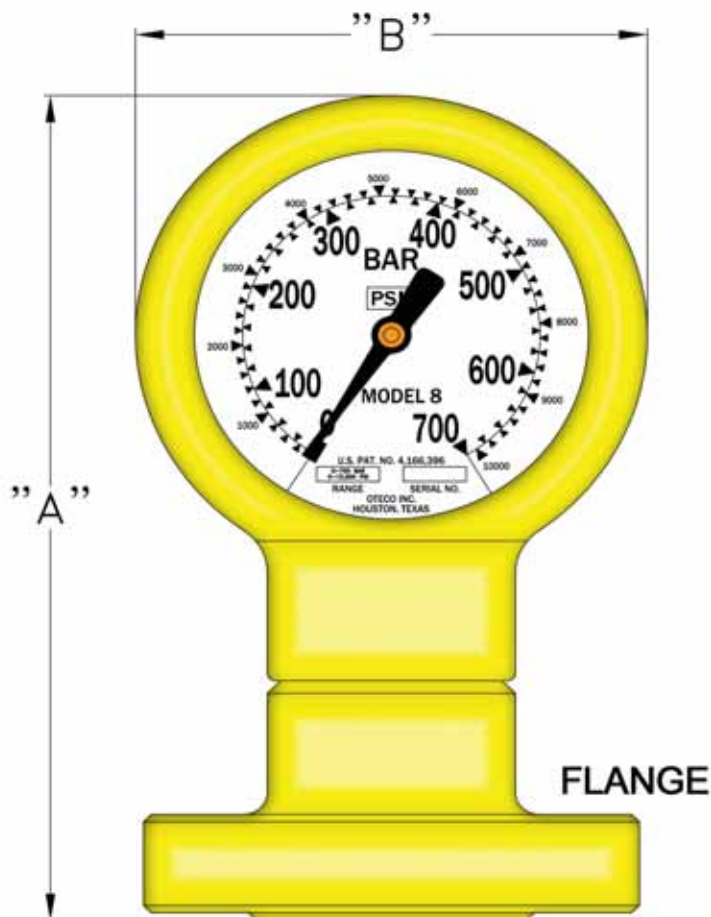
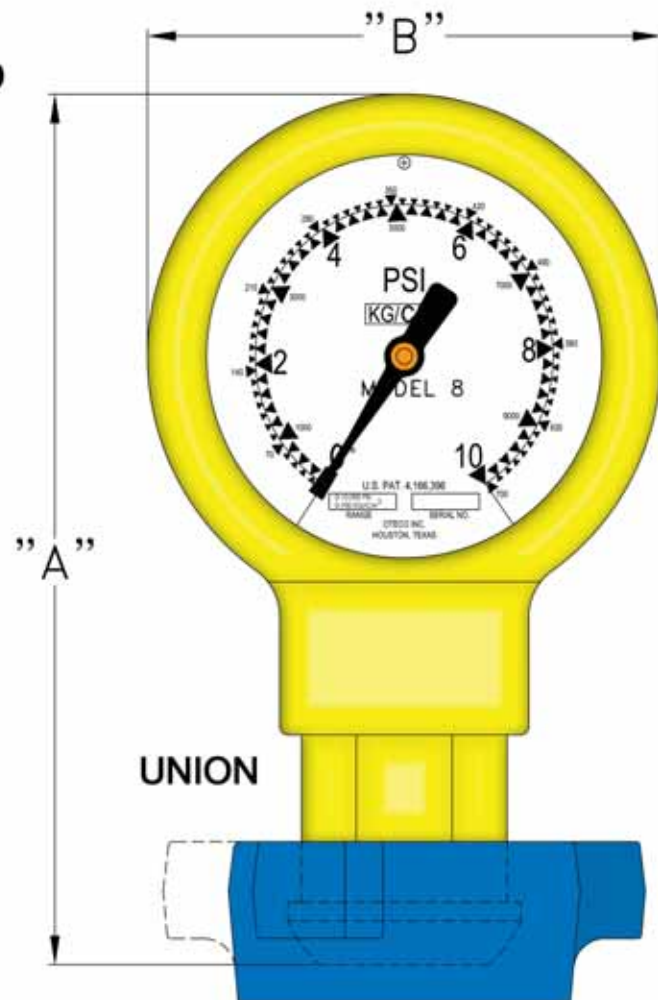
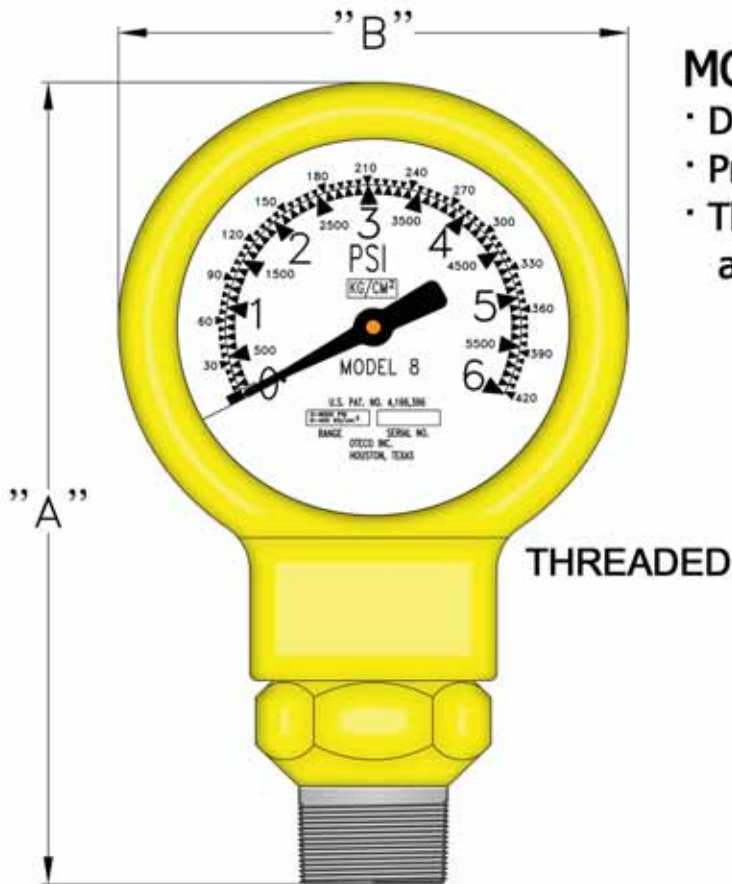
SUB CONNECTION DESCRIPTION (MAX WORKING PRESSURE SUB OR CASE DEPENDENT)	MAXIMUM PRESSURE PSI (BAR)	GAUGE PRESSURE RATINGS PSI	OVERALL	
			HEIGHT "A"	WIDTH "B"
PG7,THREADED,2" LPT	6,000 (420)	1K,3K,6K	14-3/16"	7-11/16"
PG7,THREADED,2" LPT, BRONZE	6,000 (420)	1K,3K,6K	14-3/16"	7-11/16"
PG7,THREADED,2" LPT, STAINLESS STEEL	6,000 (420)	1K,3K,6K	14-3/16"	7-11/16"
PG7,FLANGE,2.06-5K,RJ,R-24	5,000 (345)	1K,3K,6K	15-3/16"	8-1/2"
PG7,FLANGE,2.06-5K,RJ,R-24, SOUR GAS	5,000 (345)	1K,3K,6K	15-3/16"	8-1/2"
PG7,FLANGE,2.06-10K,RJ,BX-152, SOUR GAS	6,000 (420)	6K	15-13/16"	7-7/8"
PG7,2" FIG.1502 MALE	6,000 (420)	1K,3K,6K	17-3/16"	7-11/16"
PG7,2" FIG.1502 MALE, SOUR GAS	6,000 (420)	1K,3K,6K	17-3/16"	7-11/16"

Sub end connections not listed in sour gas or charpy available upon request.

Sub flanges with stainless steel or Inconel inlays available upon request.

## MODEL 8

- Dial Case: 8-1/8" diameter.
- Pressure range: 0-20,000 PSI (1,400 BAR).
- Threaded connection has 2" LPT male with a 1" LPT female.





DIAL FACE PRESSURE		
STANDARD	LUMINOUS	PSI/BAR/KGC UNIT OF MEASURE
AVAILABLE	AVAILABLE	PG8,DIAL FACE,PSI/KGC,0-1K/70
AVAILABLE	AVAILABLE	PG8,DIAL FACE,PSI/KGC,0-3K/210
AVAILABLE	AVAILABLE	PG8,DIAL FACE,PSI/KGC,0-6K/420
AVAILABLE	AVAILABLE	PG8,DIAL FACE,PSI/KGC,0-10K/700
AVAILABLE	AVAILABLE	PG8,DIAL FACE,PSI/KGC,0-15K/1050
AVAILABLE	AVAILABLE	PG8,DIAL FACE,PSI/KGC,0-20K/1400
N/A	AVAILABLE	PG8,DIAL FACE,BAR,0-210
N/A	AVAILABLE	PG8,DIAL FACE,BAR,0-420
N/A	AVAILABLE	PG8,DIAL FACE,BAR,0-1040
AVAILABLE	N/A	PG8,DIAL FACE,BAR/PSI,0-210/3K
AVAILABLE	N/A	PG8,DIAL FACE,BAR/PSI,0-420/6K
AVAILABLE	AVAILABLE	PG8,DIAL FACE,BAR/PSI,0-700/10K
AVAILABLE	N/A	PG8,DIAL FACE,BAR/PSI,0-1040/15K
AVAILABLE	N/A	PG8,DIAL FACE,BAR/PSI,0-1400/20K
AVAILABLE	N/A	PG8,DIAL FACE,KPA,0-7K
N/A	AVAILABLE	PG8,DIAL FACE,KPA,0-70K
N/A	AVAILABLE	PG8,DIAL FACE,KPA,0-104K
N/A	AVAILABLE	PG8,DIAL FACE,KPA,0-140K
AVAILABLE	AVAILABLE	PG8,DIAL FACE,KPA/PSI,0-21K/3K
AVAILABLE	AVAILABLE	PG8,DIAL FACE,KPA/PSI,0-42K,6K
AVAILABLE	N/A	PG8,DIAL FACE,KPA/PSI,0-70K/10K
AVAILABLE	N/A	PG8,DIAL FACE,KPA/PSI,0-104K/15K
AVAILABLE	N/A	PG8,DIAL FACE,KPA/PSI,0-140K/20K

SUB CONNECTION DESCRIPTION (MAX WORKING PRESSURE SUB OR CASE DEPENDENT)	MAXIMUM PRESSURE PSI (BAR)	GAUGE PRESSURE RATINGS PSI	OVERALL HEIGHT "A"	WIDTH "B"
PG8,THREADED,2" LPT,1-20K	10,000 (700)	1K,3K,6K,10K	13-1/4"	8-1/8"
PG8,THREADED,2" LPT,1-20K, CHARPY	10,000 (700)	1K,3K,6K,10K	13-1/4"	8-1/8"
PG8,THREADED,2" LPT,1-20K, BRONZE	10,000 (700)	1K,3K,6K,10K	13-1/4"	8-1/8"
PG8,THREADED,2" LPT, STAINLESS STEEL	10,000 (700)	1K,3K,6K,10K	13-1/4"	8-1/8"
PG8,FLANGE,1.81-10K,RJ,BX-151, SOUR GAS	10,000 (700)	6K,10K	13-15/16"	8-1/8"
PG8,FLANGE,2.06-5K,RJ,R-24	5,000 (345)	1K,3K	13-15/16"	8-1/2"
PG8,FLANGE,2.06-5K,RJ,R-24, SOUR GAS	5,000 (345)	1K,3K	13-15/16"	8-1/2"
PG8,FLANGE,2.06-10K,RJ,BX-152	10,000 (700)	6K,10K	13-15/16"	8-1/8"
PG8,FLANGE,2.06-10K,RJ,BX-152, SOUR GAS	10,000 (700)	6K,10K	13-15/16"	8-1/8"
PG8,FLANGE,2.06-15K,RJ,BX-152	15,000 (1040)	15K	13-15/16"	8-3/4"
PG8,FLANGE,3.12-5K,RJ,R-35, SOUR GAS	5,000 (345)	1K,3K	13-15/16"	10-1/2"
PG8,UNION,2" FIG.1502 MALE	15,000 (1040)	1K-15K	13-7/16"	8-1/8"
PG8,UNION,2" FIG.1502 MALE, SOUR GAS	10,000 (700)	1K,3K,6K,10K	13-7/16"	8-1/8"
PG8,UNION,2" FIG.2002 MALE	20,000 (1400)	1K-20K	16-1/2"	8-1/8"
PG8,UNION,2" FIG.2202 MALE, SOUR GAS	15,000 (1040)	1K-15K	16-1/2"	8-1/8"
PG8,UNION,3" FIG.1502 MALE	15,000 (1040)	1K-15K	13-11/16"	8-7/8"
PG8,UNION,3" FIG.1502 FEMALE	15,000 (1040)	1K-15K	13-7/16"	8-1/8"

Sub end connections not listed in sour gas or charpy available upon request.

Sub flanges with stainless steel or Inconel inlays available upon request.

Oteco offers a pressure gauge repair and rebuilding service. We can repair worn or damaged pressure gauges to "like new" condition. Oteco can repair or rebuild most Cameron style non-Oteco pressure gauges also. When deciding on which pressure gauge to purchase new, Oteco pressure gauges come with xylan coated threads for high pressure gauges making them more easily repaired or rebuilt.

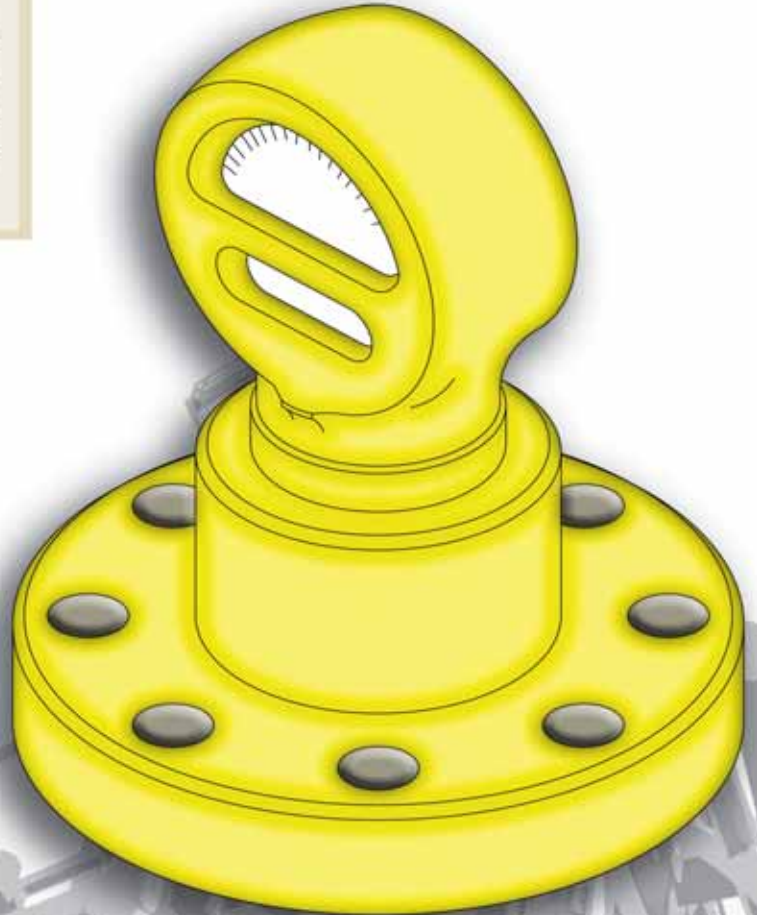






For over 60 years OTECO, Inc. has been providing high quality oilfield equipment to the worldwide oil and gas markets.

Operating from our modern 120,000 square foot manufacturing facility in Houston, Texas, OTECO continues to provide products to the high quality standards for which we are known.



## OTECO, Inc.

2828 Trout St.  
Houston, Texas 77093-5546  
P.O. Box 1849  
Houston, Texas 77251-1849



Phone: 713-695-3693  
Toll Free: 800-366-6650 (USA only)  
Web Address: <http://www.OTECO.com>  
E-mail: [Sales@OTECO.com](mailto:Sales@OTECO.com)